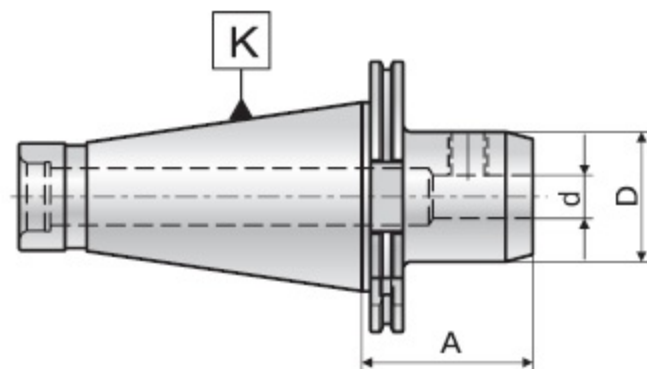


B208.2

Хвостовик по ГОСТ 25827-93 исп.3 Shank
GOST 25827-93 vers.3

Код / Code	K	d	D	A	Винт/Screw	Кг/kg
B208.2.40.050.06	40	6	25	50	S208.06.M6	0,80
B208.2.40.050.08	40	8	28	50	S208.08.M8	0,90
B208.2.40.050.10	40	10	35	50	S208.10.M10	1,00
B208.2.40.050.12	40	12	42	50	S208.12.M12	1,10
B208.2.40.063.14	40	14	44	63	S208.12.M12	1,30
B208.2.40.063.16	40	16	48	63	S208.16.M14	1,40
B208.2.40.063.18	40	18	50	63	S208.16.M14	1,40
B208.2.40.063.20	40	20	52	63	S208.20.M16	1,40
B208.2.40.080.25	40	25	65	80	S208.25.M18	2,00
B208.2.40.080.32	40	32	72	80	S208.32.M20	2,50

B208.2.50.063.06	50	6	25	63	S208.06.M6	2,70
B208.2.50.063.08	50	8	28	63	S208.08.M8	2,70
B208.2.50.063.10	50	10	35	63	S208.10.M10	2,80
B208.2.50.063.12	50	12	42	63	S208.12.M12	3,00
B208.2.50.063.14	50	14	44	63	S208.12.M12	3,00
B208.2.50.063.16	50	16	48	63	S208.16.M14	3,10
B208.2.50.063.18	50	18	50	63	S208.16.M14	3,20
B208.2.50.063.20	50	20	52	63	S208.20.M16	3,20
B208.2.50.080.25	50	25	65	80	S208.25.M18	4,00
B208.2.50.080.32	50	32	72	80	S208.32.M20	4,20
B208.2.50.090.40	50	40	90	90	S208.40.M20	5,60



для $d \geq 25$

