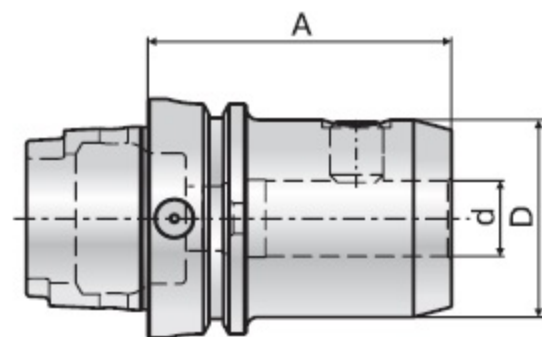


B208.10

HSK no DIN 69893
Shank HSK DIN 69893

| Код / Code | d | D | A | Винт/Screw | Кг/kg |
|--------------------|----|----|-----|------------|-------|
| B208.10.63.070.06 | 6 | 25 | 70 | SW6x10 | 0,80 |
| B208.10.63.070.08 | 8 | 28 | 70 | SW8x10 | 0,95 |
| B208.10.63.070.10 | 10 | 35 | 70 | SW10x12 | 0,95 |
| B208.10.63.080.12 | 12 | 42 | 80 | SW12x16 | 1,20 |
| B208.10.63.080.14 | 14 | 44 | 80 | SW12x16 | 1,25 |
| B208.10.63.080.16 | 16 | 48 | 80 | SW14x16 | 1,35 |
| B208.10.63.080.18 | 18 | 50 | 80 | SW14x16 | 1,35 |
| B208.10.63.080.20 | 20 | 52 | 80 | SW16x16 | 1,40 |
| B208.10.63.110.25 | 25 | 65 | 110 | SW18x20 | 2,35 |
| | | | | | |
| B208.10.100.100.16 | 16 | 48 | 100 | SW14x16 | 2,90 |
| B208.10.100.100.20 | 20 | 52 | 100 | SW16x16 | 3,05 |
| B208.10.100.100.25 | 25 | 65 | 100 | SW18x20 | 3,55 |
| B208.10.100.100.32 | 32 | 72 | 100 | SW20x20 | 3,80 |
| B208.10.100.110.40 | 40 | 85 | 110 | SW20x20 | 4,75 |



для $d \geq 25$

