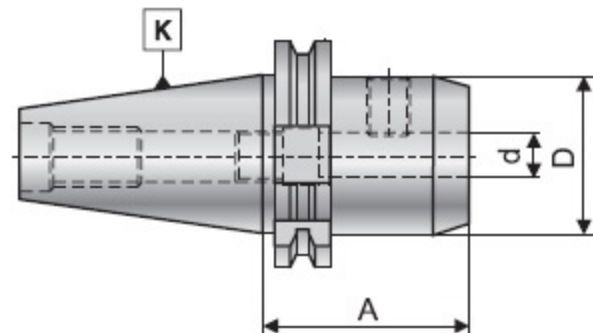


# B208.4

ГОСТ 25827-93, исп.2 (DIN69871/A)  
Shank DI N69871/A

Код / Code	K	d	D	A	Винт/Screw	Kг/kg
B208.4.40.050.06	40	6	25	50	S208.06.M6	0,90
B208.4.40.050.08	40	8	28	50	S208.08.M8	0,90
B208.4.40.050.10	40	10	35	50	S208.10.M10	1,00
B208.4.40.050.12	40	12	42	50	S208.12.M12	1,10
B208.4.40.050.14	40	14	44	50	S208.12.M12	1,30
B208.4.40.063.16	40	16	48	63	S208.16.M14	1,40
B208.4.40.063.18	40	18	50	63	S208.16.M14	1,40
B208.4.40.063.20	40	20	52	63	S208.20.M16	1,40
B208.4.40.100.25	40	25	65	100	S208.25.M18	2,40
B208.4.40.100.32	40	32	72	100	S208.32.M20	2,60

B208.4.50.063.06	50	6	25	63	S208.06.M6	2,70
B208.4.50.063.08	50	8	28	63	S208.08.M8	2,80
B208.4.50.063.10	50	10	35	63	S208.10.M10	2,90
B208.4.50.063.12	50	12	42	63	S208.12.M12	3,00
B208.4.50.063.14	50	14	44	63	S208.12.M12	3,00
B208.4.50.063.16	50	16	48	63	S208.16.M14	3,10
B208.4.50.063.18	50	18	50	63	S208.16.M14	3,20
B208.4.50.063.20	50	20	52	63	S208.20.M16	3,20
B208.4.50.080.25	50	25	65	80	S208.25.M18	3,90
B208.4.50.100.32	50	32	72	100	S208.32.M20	4,80
B208.4.50.120.40	50	40	90	120	S208.40.M20	6,60



для  $d \geq 25$

